

id Flow™
Is a division of id Solutions Automation & Control Products Inc.

Id FC Cone Flowmeter Series

FEATURES:

- Suitable for pipes from:
1/2" to 24" (DN: 15-600)
- Integral Transmitter Mount 3 or 5 valve manifold
- Mass Flow Measurement with dynamic process compensation of pressure and temperature using Multivariable DP transmitter and integral RTD.
- End connections:
 - Wafer (up to 4") Facing for ANSI and RTJ Flanges
 - Flanged ANSI Class 150# to 600#
 - Threaded or HUB
- Flow tests traceable to NIST available and when performed within the Reynolds Number range of the process allow for accuracies of +/- 0.5%
- Repeatability of +/- 0.1%
- Minimum Reynolds Numbers is 8000
- Short Minimum Straight pipe run requirements (3D Upstream / 1D Downstream)
- Design Standards: ASME B31.1 and B31.3
- Materials: CS, 304SS, 316SS, Alloy 20, Chrome Moly, Monel, and others available on request.
- Used for static mixing of multi-phase process and mixing of chemicals.

id Solutions
AUTOMATION & CONTROL PRODUCTS INC.

2109, St-Regis Boulevard
D.D.O, QC H9B 2M9
(514) 782-1954
www.idsolutions-acp.com

id Flow Cone Model Description

Cone Meter Model
IDFC

#2 Line Size	
0.5	005
0.75	075
1	010
1.5	015
2	020
2.5	025
3	030
4	040
6	060
8	080
10	100
12	120

#3 Pipe Material	
316SS	316
304SS	304
Carbon Steel	WCB
Other	

#4 Schedule	
Sch10	010
Sch10S	010S
Sch 40	040
Sch 40S	040S
Sch 80	080
Sch 80S	080S
Sch 120	120
Other	

IDFC	040	WCB	120	316		900RF	S012
#1	#2	#3	#4	#5	#6	#7	#8

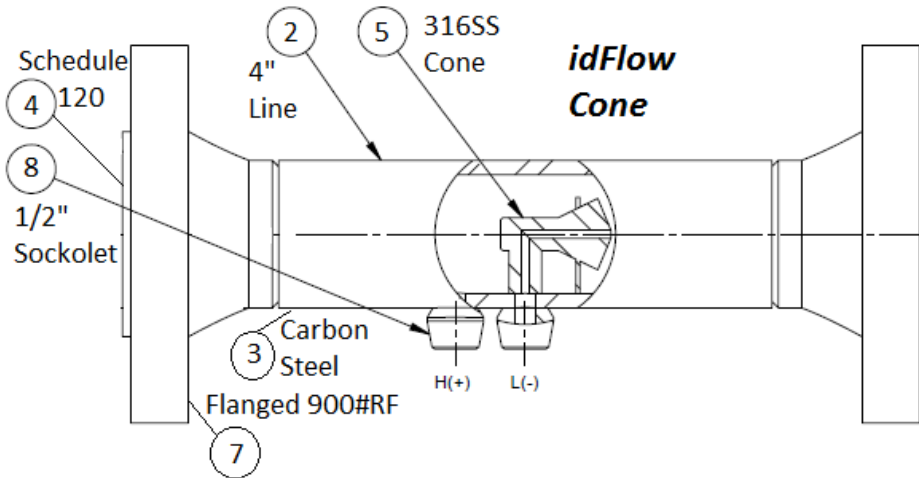
IDFC-040-WCB-120-316-900RF-S012

#5 Cone material	
316SS	316
304SS	304
Carbon Steel	WCB
Other	

#6 Process Connection Type	
Weld In	000
Wafer	W
Flanged	
Other	

#7 Rating	
ANSI 150 RF	150 RF
ANSI 300 RF	300 RF
ANSI 600 RF	600 RF
ANSI 900 RF	900 RF
ANSI 1500 RF	1500 RF
ANSI 150 RTJ	100 RTJ
ANSI 300 RTJ	300 RTJ
ANSI 600 RTJ	600 RTJ
ANSI 900 RTJ	900 RTJ
ANSI 1500 RTJ	1500 RTJ

#8 Instrument Connections		
ANSI 600 RF	1/4 " NPT	NPT14
ANSI 900 RF	1/2 " NPT	NPT12
ANSI 1500 RF	3/4" NPT	NPT34
ANSI 150 RTJ	1/4 " Sockolet	S014
ANSI 300 RTJ	1/2 " Sockolet	S012
ANSI 600 RTJ	3/4" Sockolet	S034
ANSI 900 RTJ	3 valve manifold	MAN3
ANSI 1500 RTJ	5 valve manifold	MAN5
#9 Options		



Additional options include calculation, sizing, Material Traceability Certificate, NACE, Canadian Registration, drawing, specified inspection and testing, etcetera.