

id FP Pitot Tubes

FEATURES:

- Designed to measure flow rates of clean fluids in gas, vapor, and liquid state
- Excellent cost to performance ratio
- Easy to install, commission, and maintain.
- Available in two designs; Wedgebar and Roundbar
- "Wedgebar" design available up to 16 inch, Roundbar design available for larger pipe or duct size
- "Wedgebar" design has low pressure holes on the side to prevent clogging.
- Roundbar design is used in larger pipes and ducts where extra mechanical strength is required
- High energy savings gained through minimal permanent pressure loss.
- Pipe or duct mount: 2" to 72"
- Threaded, flanged, and hot tap process connections
- 316SS, Carbon Steel, brass, monel, hastelloy, duplex SS
- Up to 1100°C (2000°F)
- Up to 3000 PSIG (200 Bars)
- Up to 100 cP (centiPoises) Viscosity
- Repeatability: +/- 0.1% of flow rate
- Accuracy: +/- 1% of flow rate or +/- 0.5% if calibrated with transmitter
- Flow range turn down ratio: Typically 10 to 1

id Flow Pitot Tube Model Description

Pitot Type	Model
Roundbar	IDFPR
Wedgebar -up to 16"	IDFPW

#2 Line Size	
2	020
3	030
4	040
6	060
8	080
10	100
12	120
14	140
16	160
Size	Value

#3 Material	
12	316SS
14	Hastelloy
16	Other

IDFPW-014-316-13.124-BAS-015-150RF-NPT12-OSS											
IDFPW	014	316	13.124	BAS			015	150RF	NPT12	OSS	
#1	#2	#3	#4	#5	#6	#7	#8	#9	#10	#11	

#4 Schedule / ID	
Sch10	010
Sch10S	010S
Sch 40	040
Sch 40S	040S
Sch 80	080
Sch 80S	080S
X-Strong	XS
Other	
ID	Value

#5 Mounting Style	
Basic	BAS
Hot Tap	HOT

#6 Isolating Valve for Hot Tap	
Gate Valve	GV
Ball Valve	BV
N/A or Customer Supplied	

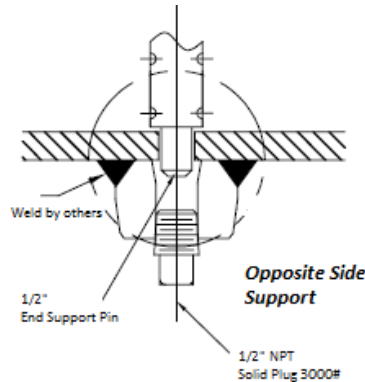
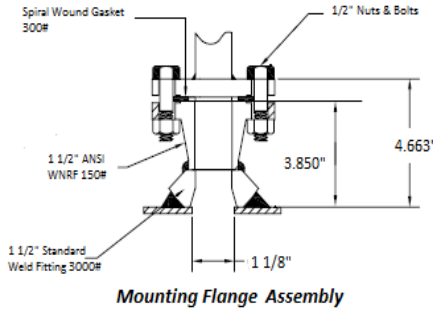
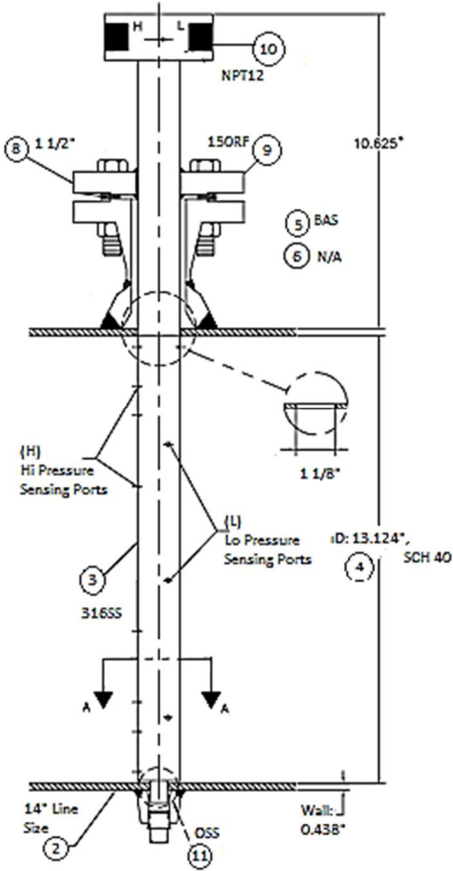
#9 Process Connection Type	
Duct Mount Plate	
Threaded	THR

#7 Valve Material		ANSI 150 RF	
Stainless Steel 316	316	ANSI 300 RF	300 RF
Carbon Steel	WCB	ANSI 600 RF	600 RF
Other		ANSI 900 RF	900 RF
#8 Process Connection Size		ANSI 1500 RF	
1 inch	010	ANSI 150 RTJ	150 RTJ
1 1/2"	015	ANSI 300 RTJ	300 RTJ
2 inch	020	ANSI 600 RTJ	600 RTJ
3 inch	030	ANSI 900 RTJ	900 RTJ
Duct Mount Plate	DMP	ANSI 1500 RTJ	1500 RTJ

Other	
#10 Instrument Connections	
1/4 inch NPT	NPT14
1/2 inch NPT	NPT12
3/4 inch NPT	NPT34

#11 Options	
Opposite Side Support	OSS
3-way Integral Manifold	MAN3
5-way Integral Manifold	MAN5
Integral Temperature Element	ITE

id Flow Pitot Wedgebar



Additional options include calculation, sizing, Material Traceability Certificate, NACE, Canadian Registration, drawing, specified inspection and testing, mounting hardware, integral DP transmitter, block and bleed assembly, etcetera.

2109, St-Regis Boulevard
Dollard-des-Ormeaux, Quebec H9B 2M9
(514) 782-1954
www.idsolutions-acp.com