

id FV Venturi Flowmeter Series

FEATURES:

- Suitable for pipes from:
1/2" to 48" (DN: 15-1200)
- Process Connections may be ANSI or RTJ Flanges from 150# Class to 2500#, or bevelled for welding into existing piping. Threaded connections available on meters up to 2"
- Instrument Connections available as NPT, Socket Weld, ANSI and RTJ Flanges, Custom Flange and Valve configurations, as well as dual tap locations.
- Flow tests traceable to NIST are available and when performed within the Reynolds Number range of the process allow for accuracies of +/-0.5%
- Accuracy +/-1% when ASME/MFC-3M or ISO-5167 standards are adhered to
- Repeatability of the flow measurement is +/- 0.1%
- Stable geometry under difficult process conditions reduces the need to calibrate secondary electronics or inspect the primary.
- Classical, Short Form and Low Loss designs are standard and are available with machined cone and throat sections or welded.
- Bi-directional designs available upon request
- Design Standards based on ASME/MFC-3M, ISO-5167, ASME B31.1 and B31.3
- Standard Materials: CS, 316SS, 304SS. Material available on request; Alloy 20, Chrome Moly, Monel, Hastelloy, Duplex SS, Etc

id Flow Venturi Model Description

Venturi Type	Model	#2 Line Size	
Classical	IDFV11	0.5	005
Short Form	IDFV21	0.75	075
Low Loss	IDFV31	1	010
Bi-Directional	IDFV41	1.5	015
Machined		2	020
Classical	IDFV12	2.5	025
Short Form	IDFV22	3	030
Low Loss	IDFV32	4	040
Bi-Directional	IDFV42	6	060
		8	080
		10	100
		12	120
		14	140
		16	160
		18	180
		20	200
		24	240

#3 Pipe Material

316SS 316

304SS 304

Carbon Steel WCB

Hastelloy HST

Other

#4 Schedule

Sch10 010

Sch10S 010S

Sch 40 040

Sch 40S 040S

Sch 80 080

Sch 80S 080S

Sch 120 120

Sch 160 160

Standard STD

X-Strong XS

Other

IDFV11-060-316-80-316-316-900RF-NPT12

IDFV11	060	316	80	316	316	900RF	NPT12
#1	#2	#3	#4	#5	#6	#7	#8

#5 Cone Material

316SS 316

304SS 304

Carbon Steel WCB

Hastelloy HST

Other

#6 Throat Material

316SS 316

Carbon Steel WCB

Hastelloy HST

Other

#7 Process Connection

ANSI 150 RF 150 RF

ANSI 300 RF 300 RF

ANSI 600 RF 600 RF

ANSI 900 RF 900 RF

ANSI 1500 RF 1500 RF

ANSI 150 RTJ 150 RTJ

ANSI 300 RTJ 300 RTJ

ANSI 600 RTJ 600 RTJ

ANSI 900 RTJ 900 RTJ

ANSI 1500 RTJ 1500 RTJ

Other

#8 Instrument Connections

1/2 inch NPT NPT12

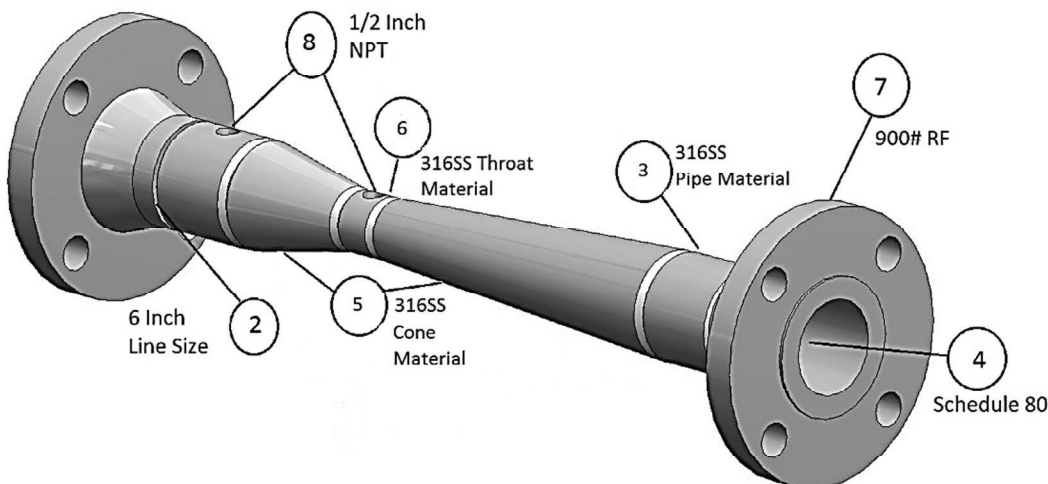
3/4 inch NPT NPT34

Socket weld 1/2 SO12

Socket weld 3/4 SO34

#9 Options

id Flow Classical Venturi



Additional options include calculation, sizing, Material Traceability Certificate, NACE, Canadian Registration, drawing, specified inspection and testing, lifting lugs, integrated manifold, etcetera.