

**id Flow™**  
Is a division of id Solutions Automation & Control Products Inc.

## *id FW* Wedge Style Flowmeter Series

### **FEATURES:**

- Suitable for pipes from:  
1/2" to 48" (DN: 15-1200)
- Process Connections may be ANSI or RTJ Flanges from 150# Class to 2500#, or bevelled for welding into existing piping.
- Instrument Connections available as NPT, Socket Weld, ANSI and RTJ Flanges, Custom Flange and Valve configurations, as well as dual tap locations.
- Flow tests traceable to NIST are available and when performed within the Reynolds Number range of the process allow for accuracies of +/-0.5%
- Repeatability of the flow measurement is +/- 0.25%
- Stable Discharge coefficients from high Reynolds Numbers down to an Re# of 500
- Stable geometry under difficult process conditions reduces the need to calibrate secondary electronics or inspect the primary.
- Design Standards based on Kent Taylor, R.W. Miller, ANSI B31.1 and ANSI B31.3
- Standard Materials: CS, 316SS, 304SS. Material available on request; Alloy 20, Chrome Moly, Monel, Hastelloy, Duplex SS, Etc.... MTR's and NACE certificates also available on request.
- A selection of speciality hardfacing by wear or corrosion resistant alloys available to improve the lifespan of the meter under the harshest conditions.

**id Solutions**  
AUTOMATION & CONTROL PRODUCTS INC.

2109, St-Regis Boulevard  
D.D.O, QC H9B 2M9  
(514) 782-1954  
[www.idsolutions-acp.com](http://www.idsolutions-acp.com)

## id Flow Wedgemeter Description

Wedgemeter Type	
Standard	IDFW

#2 Line Size	
0.5	005
0.75	075
1	010
1.5	015
2	020
2.5	025
3	030
4	040
6	060
8	080
10	100
12	120
14	140
16	160
18	180
20	200
24	240

**IDFW-080-WCB-80-WCB-300RF-SO12-DBB**

IDFW	080	WCB	80	WCB	300RF	SO12	DBB
#1	#2	#3	#4	#5	#6	#7	#8

#3 Pipe Material	
316SS	316
304SS	304
Carbon Steel	WCB
Hastelloy	HST
Other	

#4 Meter ID / SCH	
ID	value
SCH 10	010
SCH 10S	010S
SCH 40	040
SCH 40S	040S
SCH 80	080
SCH 80S	080S
Standard	STD
X-Strong	XS

#5 Wedge Material	
316SS	316
304SS	304
Carbon Steel	WCB
Hastelloy	HST
Other	

**#6 Process Connection**

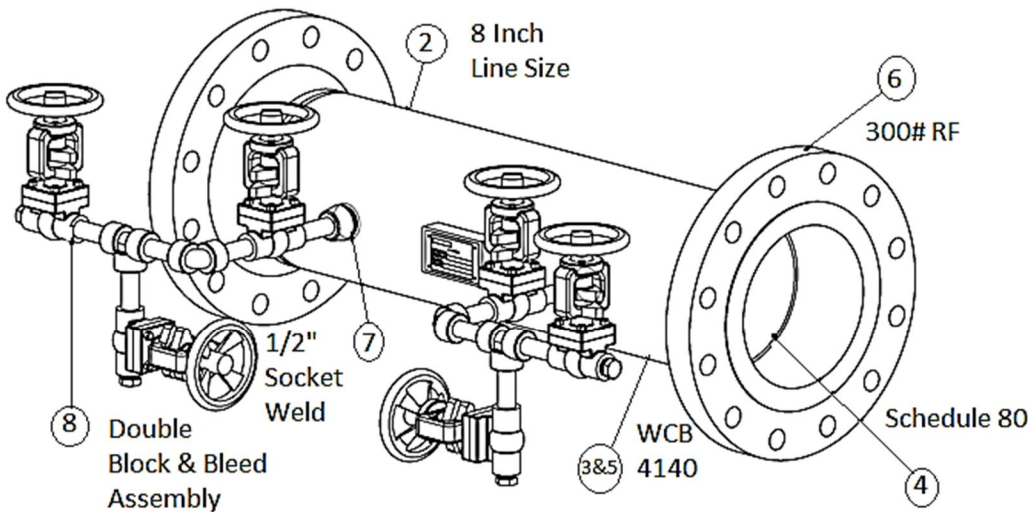
ANSI 150 RF	150 RF
ANSI 300 RF	300 RF
ANSI 600 RF	600 RF
ANSI 900 RF	900 RF
ANSI 1500 RF	1500 RF
ANSI 150 RTJ	150 RTJ
ANSI 300 RTJ	300 RTJ
ANSI 600 RTJ	600 RTJ
ANSI 600 RTJ	600 RTJ
ANSI 900 RTJ	900 RTJ
ANSI 1500 RTJ	1500 RTJ

**#7 Instrument Connections**

1/2 inch NPT	NPT12
3/4 inch NPT	NPT34
1 inch NPT	NPT11
Socket weld 1/2	SO12
Socket weld 3/4	SO34
Socket weld 1 inch	SO11
3" ANSI Raised Face Flange	FL3

*Others on Request*

**#8 Options**



**id Flow Wedgemeter  
with Double Block and Bleed Assembly**

*Additional options include calculation, sizing, Material Traceability Certificate, NACE, Canadian Registration, drawing, specified inspection and testing, lifting lugs, integral manifold, differential pressure transmitter etcetera.*