

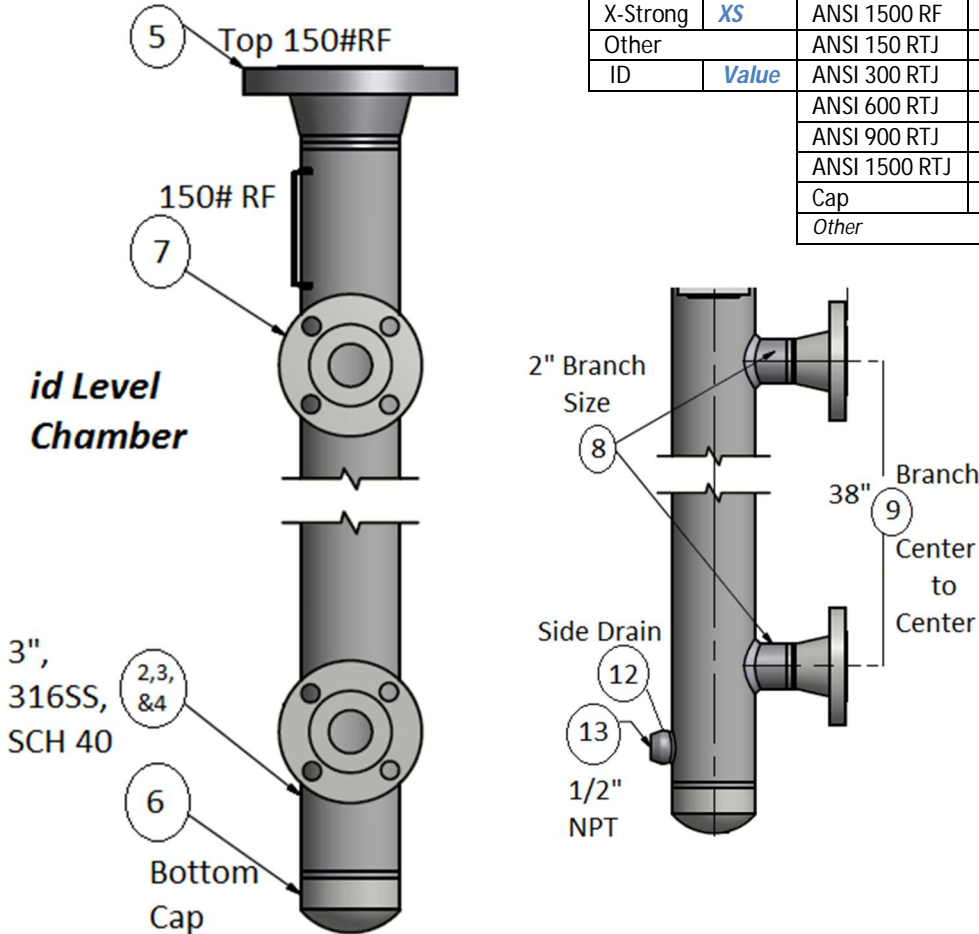
id LC Level Chamber Series

FEATURES:

- Chamber sizes from:
- 1.5" to 4" Standard. Custom sizes on demand
- Vessel Connections may be ANSI or RTJ Flanges from 150# Class to 2500# Class
- Top Connection available as NPT, ANSI and RTJ Flanges, Custom Flange and Valve configurations for venting available.
- Bottom Connection may be ANSI or RTJ Flanges, They may incorporate drains or other custom piping and valve configurations.
- Side Drains and multiple branch connections are available to answer to specific requirements where a by-pass chamber is required
- Built to ASME Code B31.1 and B31.3
- Standard Materials: CS, 316SS, Other material available on request;
- Level Chambers, By-Pass Chambers or Bridles as they are commonly called are custom built as per the vessel design provided.

id Level Chamber Model Description

Model		#2 Chamber Size		#3 Material		#4 Schedule / ID		Connections			#8 Branch Size	
Level Chamber	IDLC							#5 Top	#6 Bottom	#7 Branch		
		1.5	015			Sch 10	010				1 inch	010
		2	020	316SS	316	Sch 10S	010S				1.5 inch	015
		2.5	025	Carbon Steel	WCB	Sch 40	040	ANSI 150 RF		150 RF	2 inch	020
		3	030			Sch 40S	040S	ANSI 300 RF		300 RF	3 inch	030
		4	040			Sch 80	080	ANSI 600 RF		600 RF	Other	
		Size	Value			Sch 80S	080S	ANSI 900 RF		900 RF	#9 Branch Center to center	
						X-Strong	XS	ANSI 1500 RF		1500 RF	Dimension	value
						Other		ANSI 150 RTJ		150 RTJ	#10 Vent Location	
						ID	Value	ANSI 300 RTJ		300 RTJ	Top Vent	TVT
								ANSI 600 RTJ		600 RTJ	Side Vent	SVT
								ANSI 900 RTJ		900 RTJ	#11 Vent Type & Size	
								ANSI 1500 RTJ		1500 RTJ	1/2 inch NPT	NPT12
								Cap		Cap	3/4 inch NPT	NPT34
								Other		Other	1 inch NPT	NPT11
											1/2 inch Sockolet	SO12
											3/4 inch Sockolet	SO34
											1 inch Sockolet	SO11
											#12 Drain Location	
											Bottom Drain	BDR
											Side Drain	SDR
											#13 Drain Type & Size	
											1/2 inch NPT	NPT12
											3/4 inch NPT	NPT34
											1 inch NPT	NPT11
											1/2 inch Sockolet	SO12
											3/4 inch Sockolet	SO34
											1 inch Sockolet	SO11
											#14 Options	



IDLC-030-316-040S-150RF-CAP-150RF-020-38-SDR-NPT12

IDLC	030	316	040S	150RF	CAP	150RF	020	38			SDR	NPT12
#1	#2	#3	#4	#5	#6	#7	#8	#9	#10	#11	#12	#13

Options include special piping and valve arrangements, Material Traceability Certificate, NACE, Canadian Registration, drawing, specified inspection and testing, lifting lugs, etcetera.