

## Nistar 1000 Wedgemeter

### FEATURES:

- Suitable for pipes from:  
1/2" to 2.5" (DN: 15-65)
- Available with Integral Transmitter Mount
- Mass Flow Measurement with dynamic process compensation of pressure and temperature using Multivariable DP transmitter and integral RTD
- End connections:
  - Threaded NPTM and NPTF
  - Flanged ANSI Class 150# to 600#
- Flow tests traceable to NIST are available and when performed within the Reynolds Number range of the process allow for accuracies of +/-0.5%
- Repeatability of the flow measurement is +/- 0.25%
- Stable geometry under difficult process conditions reduces the need to calibrate secondary electronics or inspect the primary
- Design Standards based on Kent Taylor, R.W. Miller, ASME B31.1 and B31.3
- Standard Materials: CS, 316SS, 304SS. Other material available on request.  
MTR's and NACE certificates also available.

## id Flow NISTAR Model 1000 Wedgemeter Description

NISTAR Model 1000		#2 Line Size	
NISTAR 1000	IDFWN1		
		0.5	005
		0.7	075
		5	
		1	010
		1.5	015
		2	020
		2.5	025

IDFWN1-020-WCB-1.055-WCB-150RF-MAN-TRX

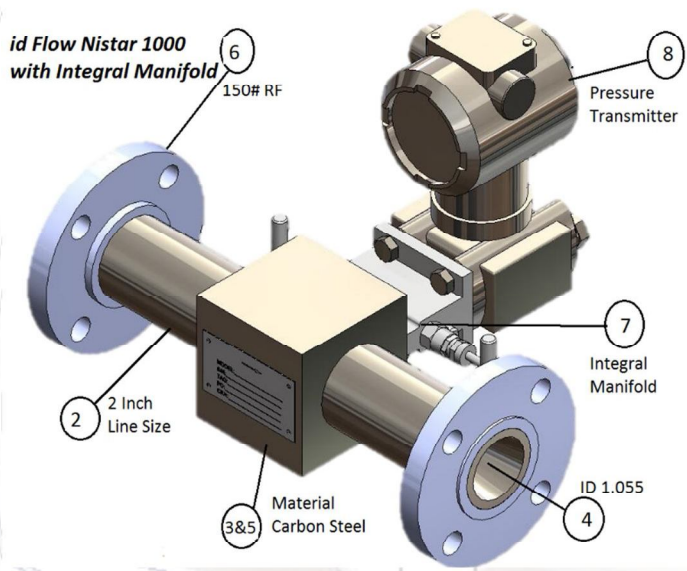
IDFWN1	020	WCB	1.055	WCB	150RF	MAN	TRX
#1	#2	#3	#4	#5	#6	#7	#8

#3 Pipe Material	
316SS	316
304SS	304
Carbon Steel	WCB
Hastelloy	HST
Other	

#4 Meter ID / SCH	
ID	value
SCH 10	010
SCH 10S	010S
SCH 40	040
SCH 40S	040S
SCH 80	080
SCH 80S	080S
Standard	STD
X-Strong	XS

#5 Wedge Material	
316SS	316
304SS	304
Carbon Steel	WCB
Hastelloy	HST

#6 Process Connection	
ANSI 150 RF	150 RF
ANSI 300 RF	300 RF
ANSI 600 RF	600 RF
ANSI 900 RF	900 RF
ANSI 1500 RF	1500 RF
ANSI 150 RTJ	150 RTJ
ANSI 300 RTJ	300 RTJ
ANSI 600 RTJ	600 RTJ
ANSI 900 RTJ	900 RTJ
ANSI 1500 RTJ	1500 RTJ
Threaded NPTM	THR
#7 Instrument Connections	
1/2 inch NPT	NPT12
3/4 inch NPT	NPT34
Socket weld 1/2	SO12
Socket weld 3/4	SO34
Integral Manifold	MAN
#8 Options	



Additional options include calculation, sizing, Material Traceability Certificate, NACE, Canadian Registration, drawing, specified inspection and testing, pressure transmitter etcetera.