



Nistar 4000 Wedgemeter

FEATURES:

- Removable wedge insert to facilitate in-line inspection of the flow primary
- Suitable for pipes from:
- 1/2" to 4" (DN: 15-100)
- Standard dimension of wedge insert for all HD ratios from 0.2 to 0.7 allowing for quick change of the meter range
- Meter run at inlet allows for removal of bolts via inlet side
- Meter run allows for reduced bore designs for low flow applications with no piping changes
- Insert fits just inside bolt circle facilitating alignment while allowing for the removal of the insert by only taking out the top bolts
- Orifice flanges have jack screw to facilitate spreading of flanges during removal of insert
- Connections use standard weld neck orifice and process flanges at required ANSI Rating
 - Flanged ANSI Class 150# to 1500#
 - Ring Type Joint (RTJ); typically 600# rating and higher
- Flow tests traceable to NIST are available and when performed within the Reynolds Number range of the process allow for accuracies of +/-0.5%
- Repeatability of the flow measurement is +/- 0.25%
- Stable discharge coefficient over a wide range of Reynolds Number helps to maintain accuracy under changing process conditions
- Design Standards based on Kent Taylor, R.W. Miller, ASME B31.1 and B31.3
- Standard Materials: CS, 316SS, 304SS. Other material available on request.
- MTR's and NACE certificates also available.

id Flow NISTAR Model 4000 Wedgemeter Description

NISTAR Model 4000	
NISTAR 4000	IDFWN4

#2 Line Size	
0.5	005
0.75	075
1	010
1.5	015
2	020
2.5	025
3	030
4	040

IDFWN4-020-WCB-080-316-0.5-600RF-600RF-NPT12

IDFWN4	020	WCB	080	316	0.5	600RF	600RF	NPT12
#1	#2	#3	#4	#5	#6	#7	#8	#9

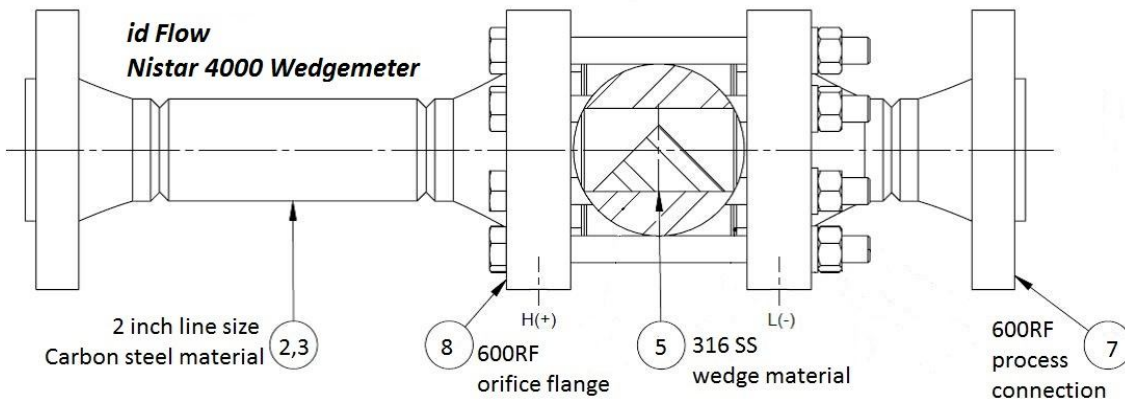
#3 Pipe Material	
316SS	316
304SS	304

#4 Meter ID / SCH			
Carbon Steel	WCB	ID	value
Hastelloy	HST	SCH 10	010
Other		SCH 10S	010S
		SCH 40	040
		SCH 40S	040S
		SCH 80	080
		SCH 80S	080S
		Standard	STD
		X-Strong	XS

#5 Wedge Material	
316SS	316
304SS	304

#6 HD Ratio	
HD	value

#7/#8 Process/Orifice Connection	
ANSI 150 RF	150 RF
ANSI 300 RF	300 RF
ANSI 600 RF	600 RF
ANSI 900 RF	900 RF
ANSI 1500 RF	1500 RF
ANSI 150 RTJ	150 RTJ
ANSI 300 RTJ	300 RTJ
ANSI 600 RTJ	600 RTJ
ANSI 600 RTJ	600 RTJ
ANSI 900 RTJ	900 RTJ
ANSI 1500 RTJ	1500 RTJ
#9 Instrument Connections	
1/2 inch NPT	NPT12
#10 Options	



Additional options include calculation, sizing, Material Traceability Certificate, NACE, Canadian Registration, drawing, specified inspection and testing, integral manifold, pressure transmitter etcetera.